

12038GE for Evaporator

DC Centrifugal Fan

Φ120X38^L



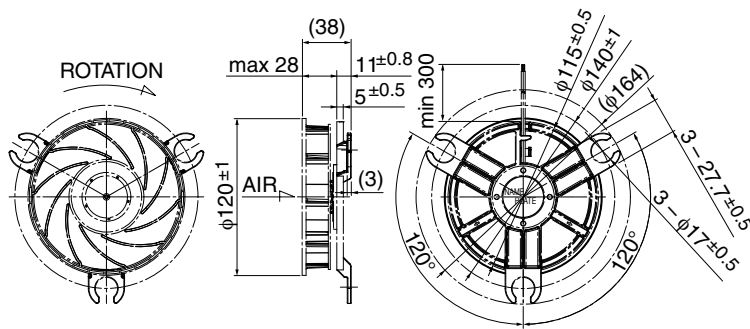
General Specifications

- Motor Protection Auto Restart
- Insulation Resistance 10MΩ or over with a DC500V Megger
- Dielectric Withstand Voltage : AC700V 1s
- Allowable Ambient : - 40°C ~ + 40°C (Operating)
- Temperature Range - 40°C ~ + 60°C (Storage)
- non-condensing environment

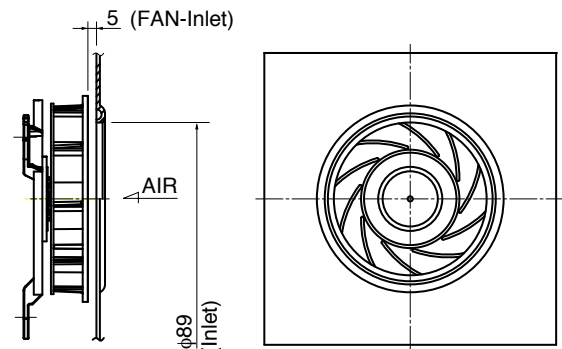
Expected Life ※ Failure Rate: 10% (L10 Life)

- 20°C 70,000 (Hours)

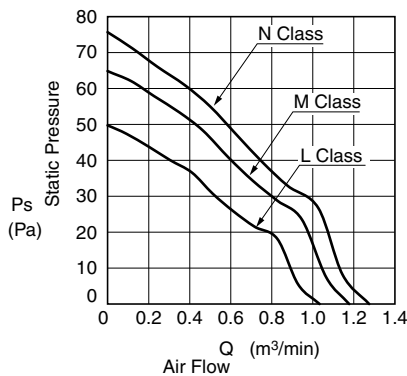
Outline



Measurement Condition



Characteristic Curves



Material

- Casing : Plastic (Black) UL94V-0
- Impeller : Plastic (Black) UL94V-0
- Bearing : Ball Bearing
- Lead Wire : UL1007 AWG26 + : Red, - : Black

Specifications

Model	Product No.	Rating Voltage	Operating Voltage	Current	Input Power	Speed	Max. Air Flow		Max. Static Pressure		Noise	Mass
		(V)	(V)				(m ³ /min)	(CFM)	(Pa)	(In H ₂ O)		
12038GE-12L-YA-	D0	12	7.0 ~ 13.2	0.15	1.80	1600	1.03	36.4	50.0	0.20	32.0	170
12038GE-12M-YA-	D0			0.21	2.52	1830	1.18	41.7	64.0	0.26	36.0	
12038GE-12N-YA-	D0			0.24	2.88	1950	1.28	45.2	76.0	0.31	38.0	

Rotation: Counterclockwise as seen from the label side
 Airflow Outlet: Side Direction

*1: Average Values in Free Air
 *2: With installation cover for measurement